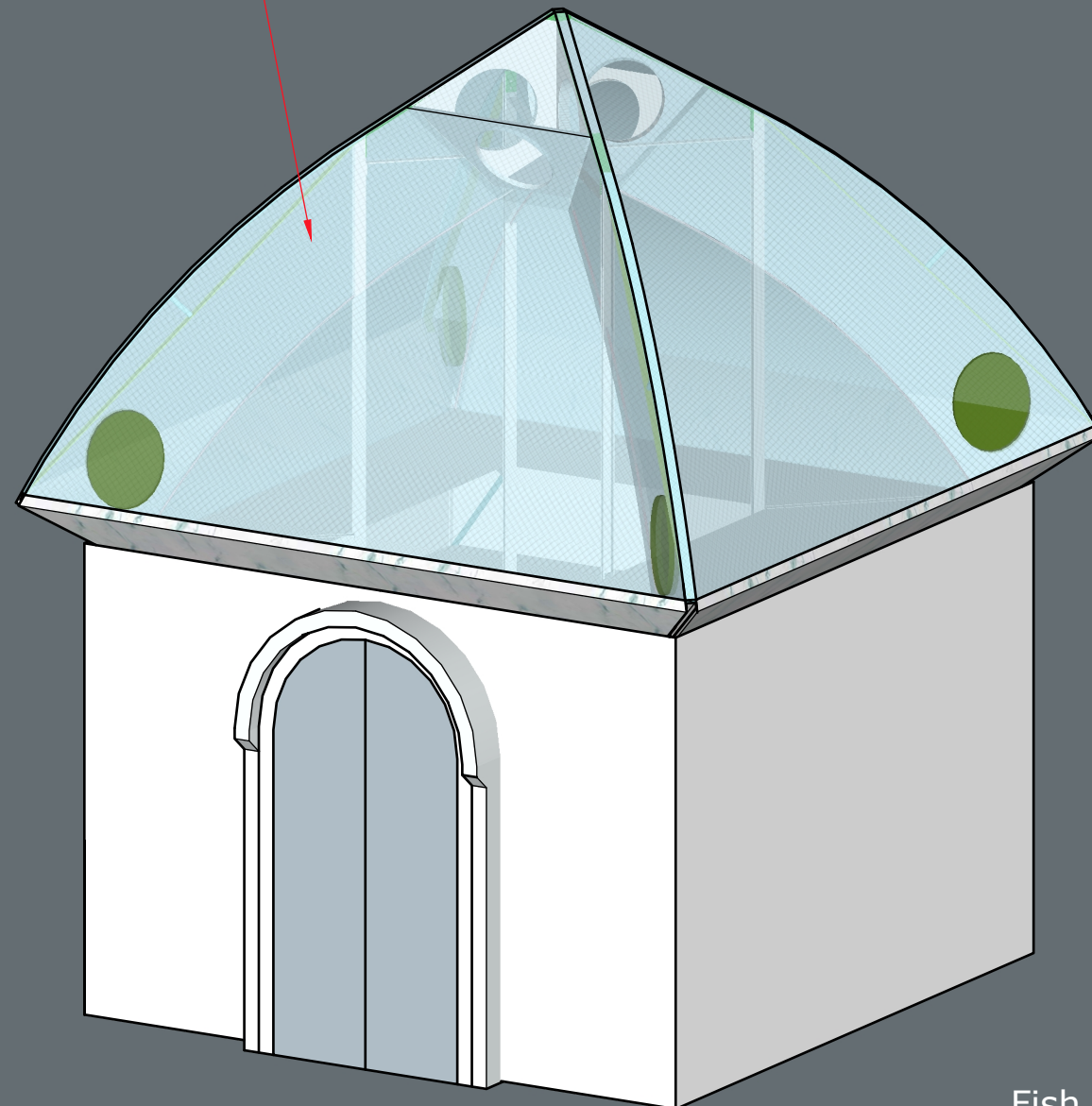


**Note:** The external wall form can choose masonry structure or wooden structure, which is determined by the user according to the needs. Doorway style for reference.

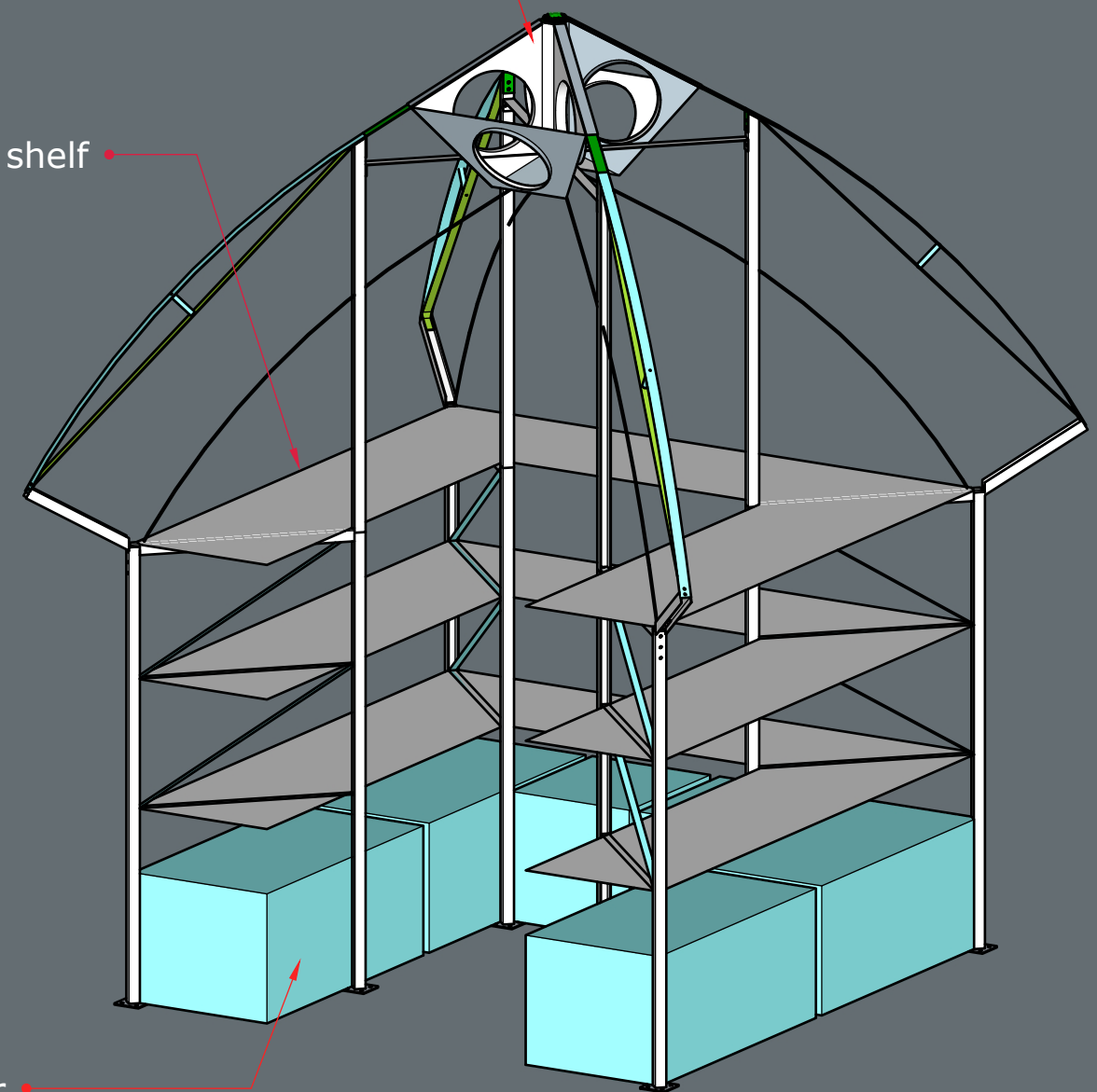
# PYRAPOD 4T-2

Roof Panel

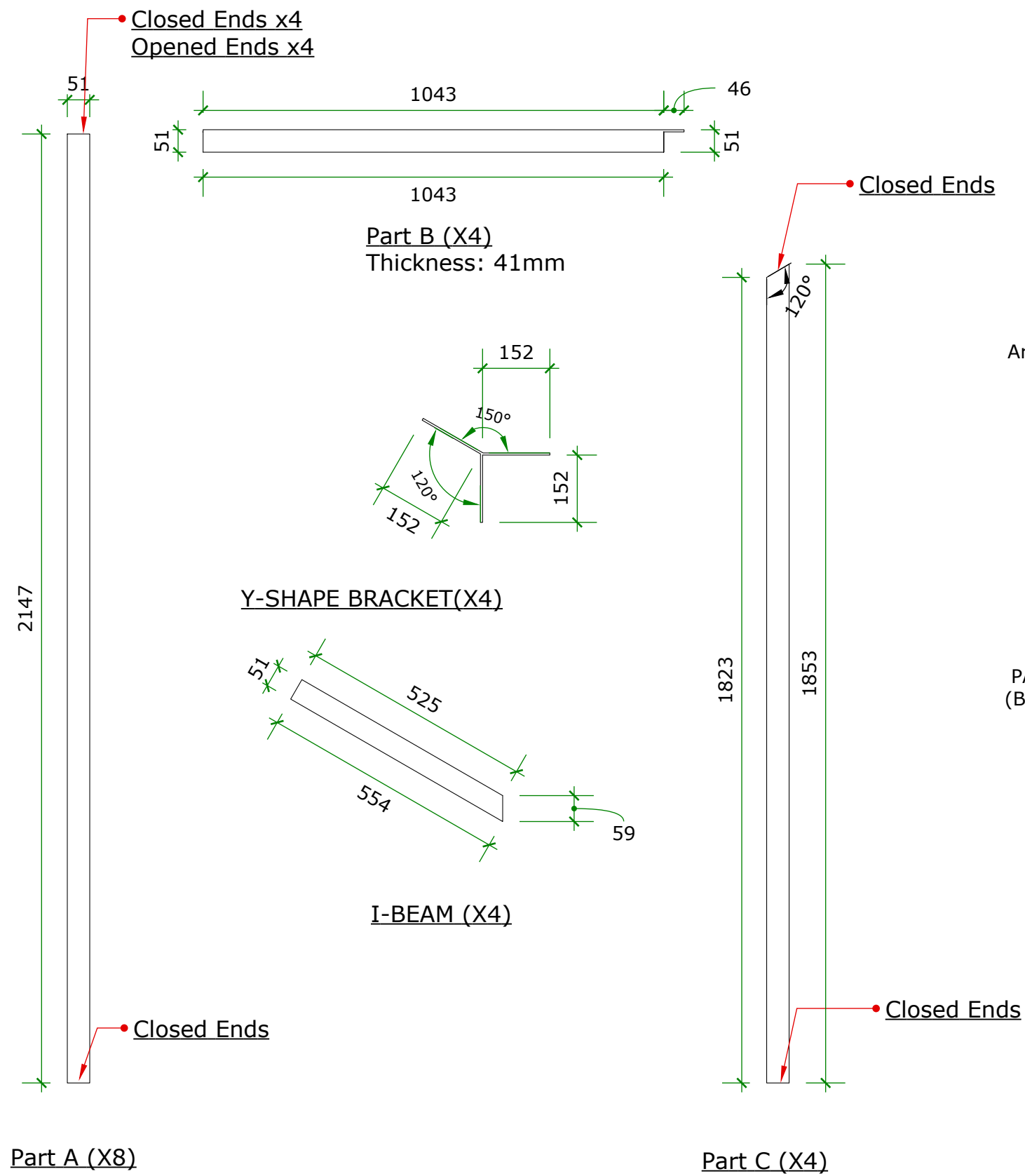


Bubble Machine

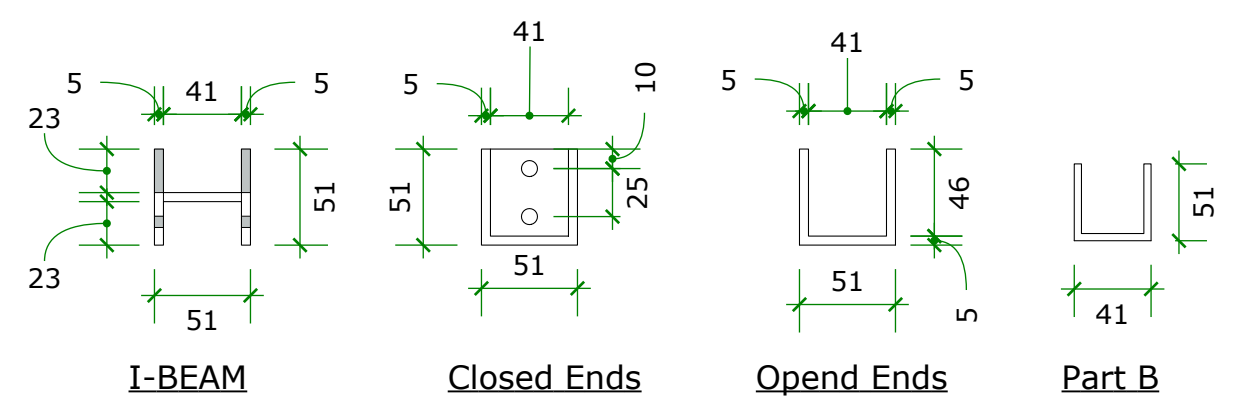
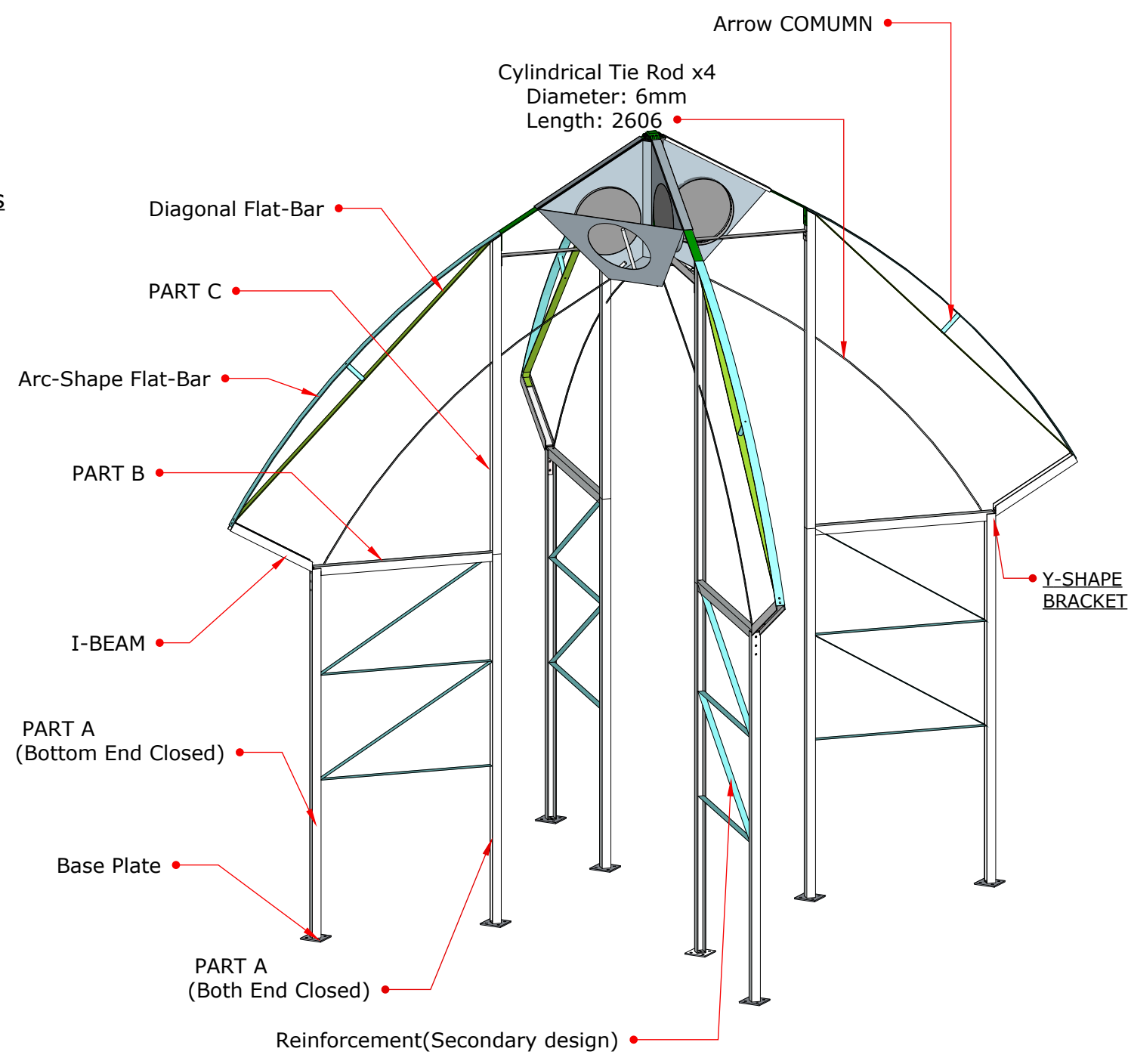
Planting shelf



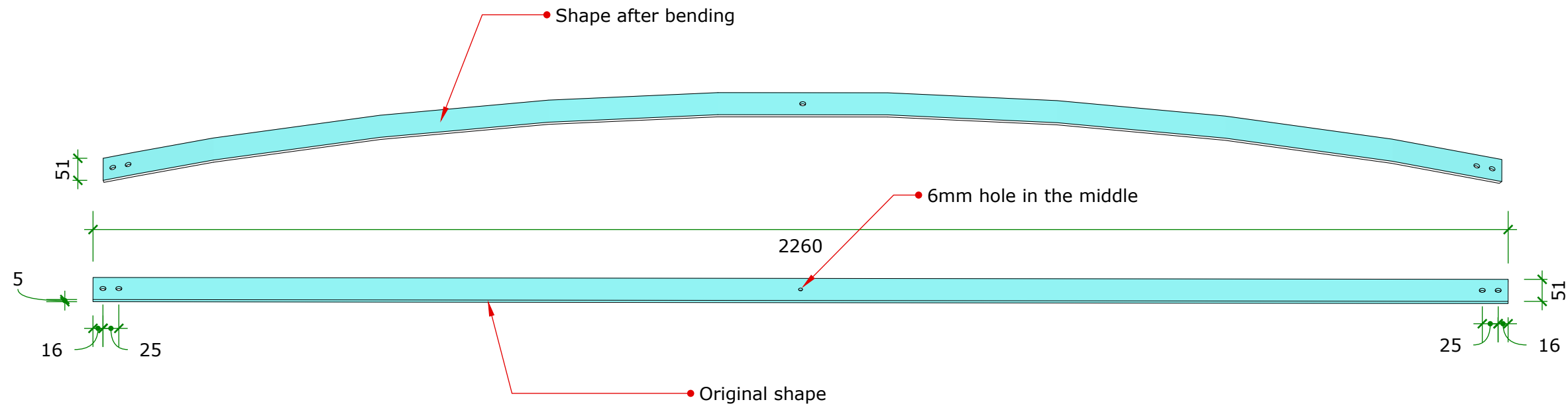
Fish tank and reservoir



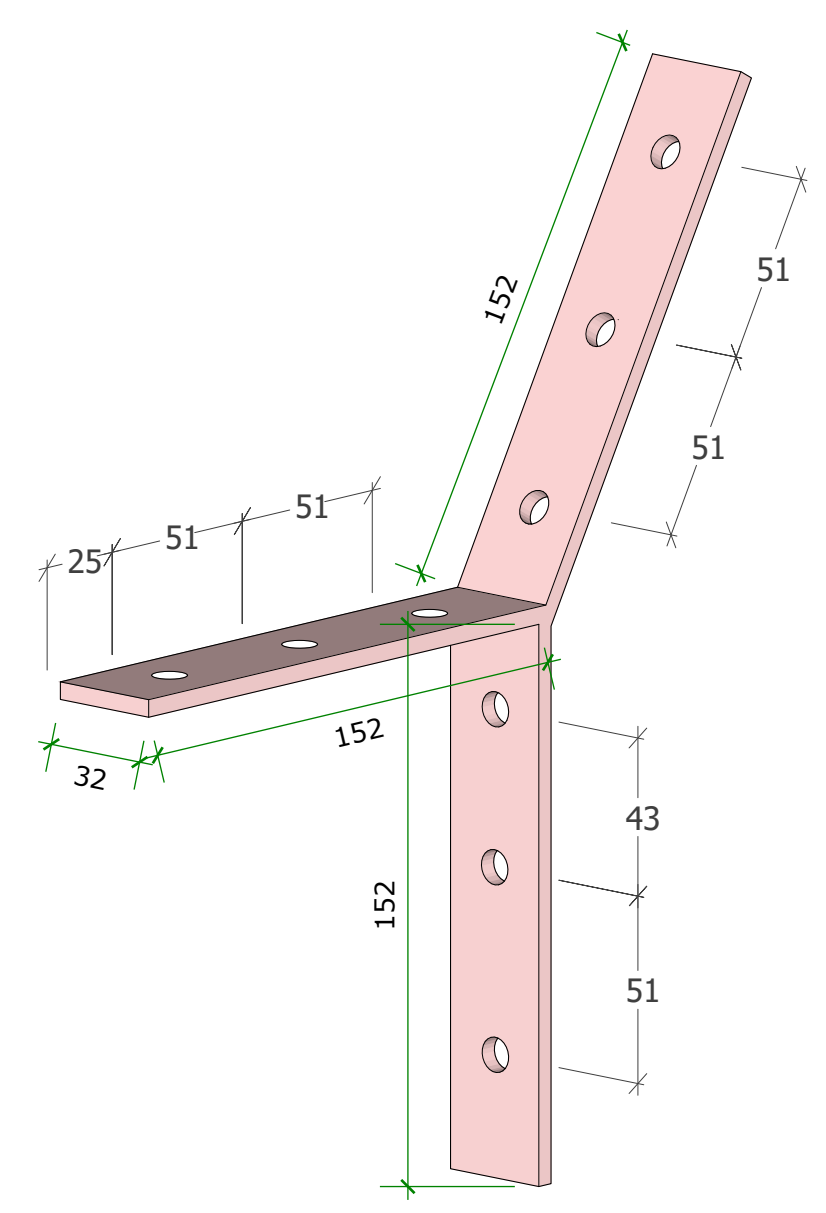
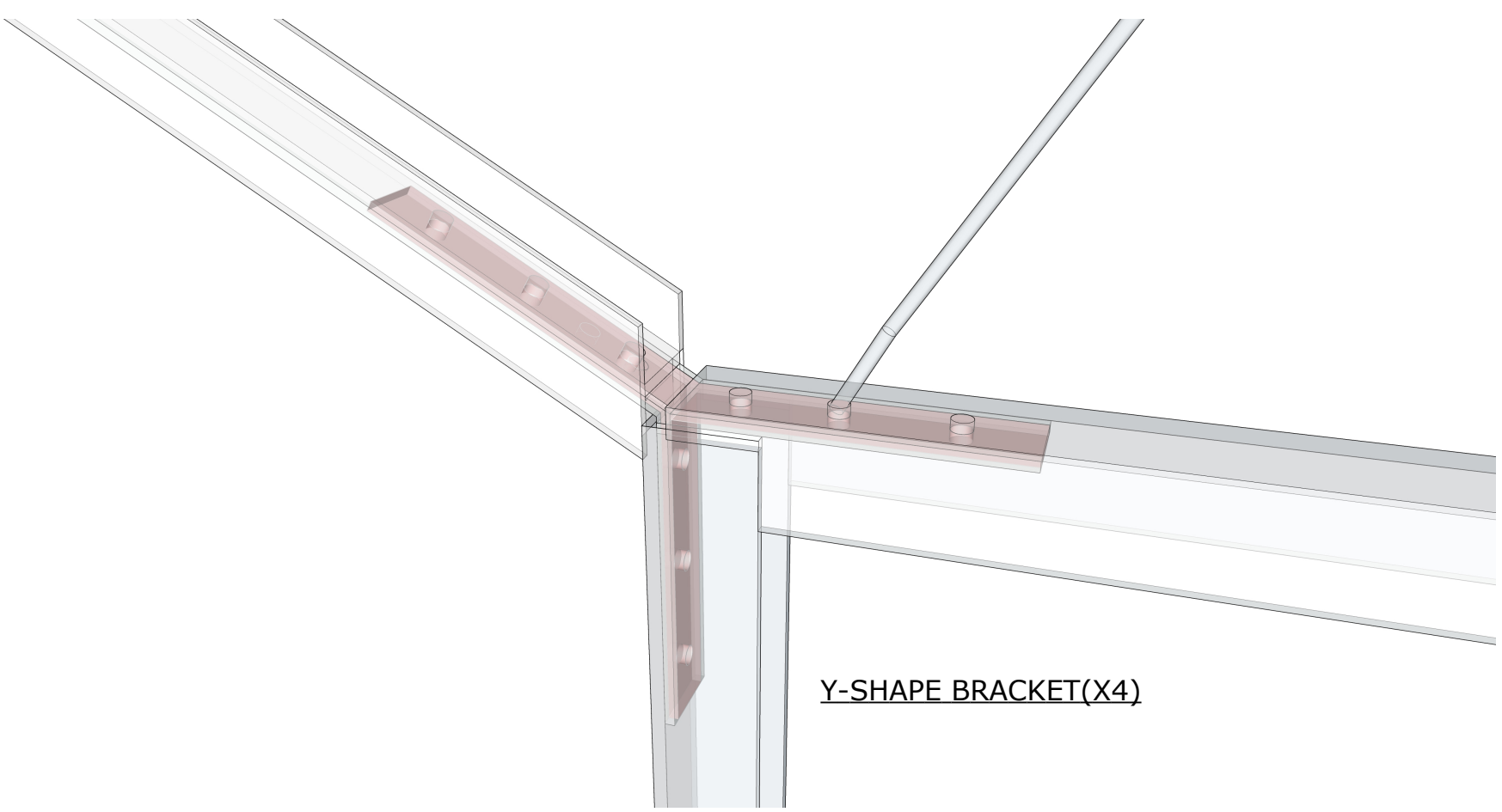
**I-BEAM & U-Shape Column Elevation**



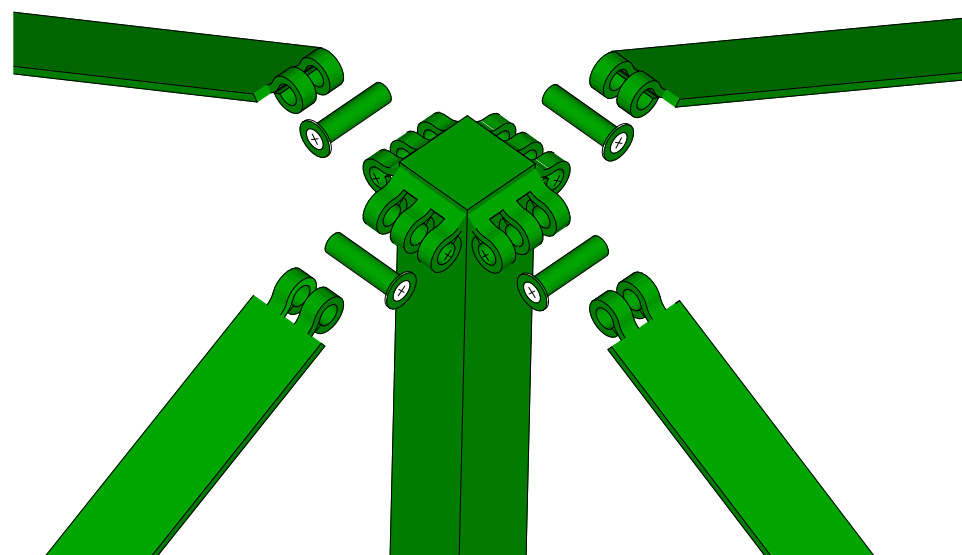
**I-BEAM & U-Shape Column Section**



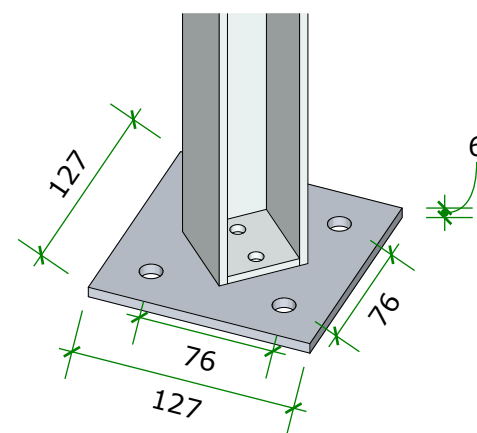
Arc-Shape Flat-Bar(x4)



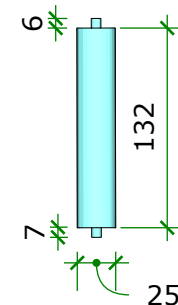
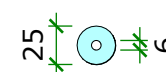
Y-SHAPE BRACKET(X4)



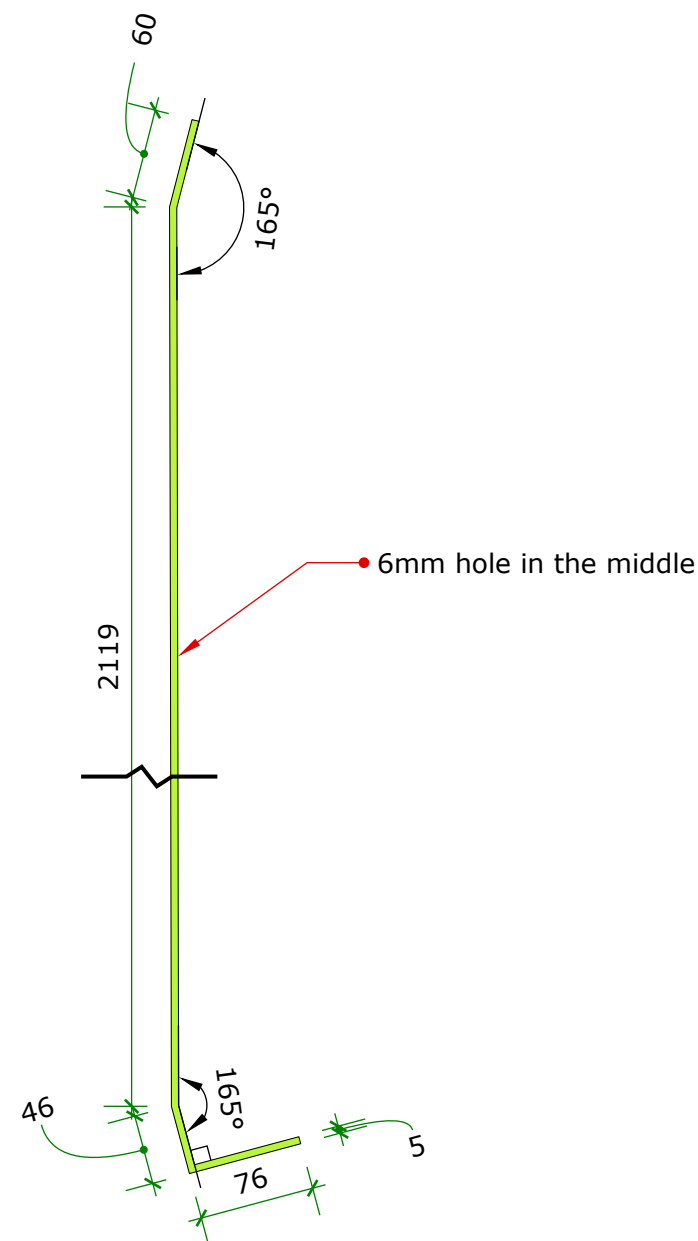
**FOUR-SIDE HINDGE**



**Base Plate (x8)**

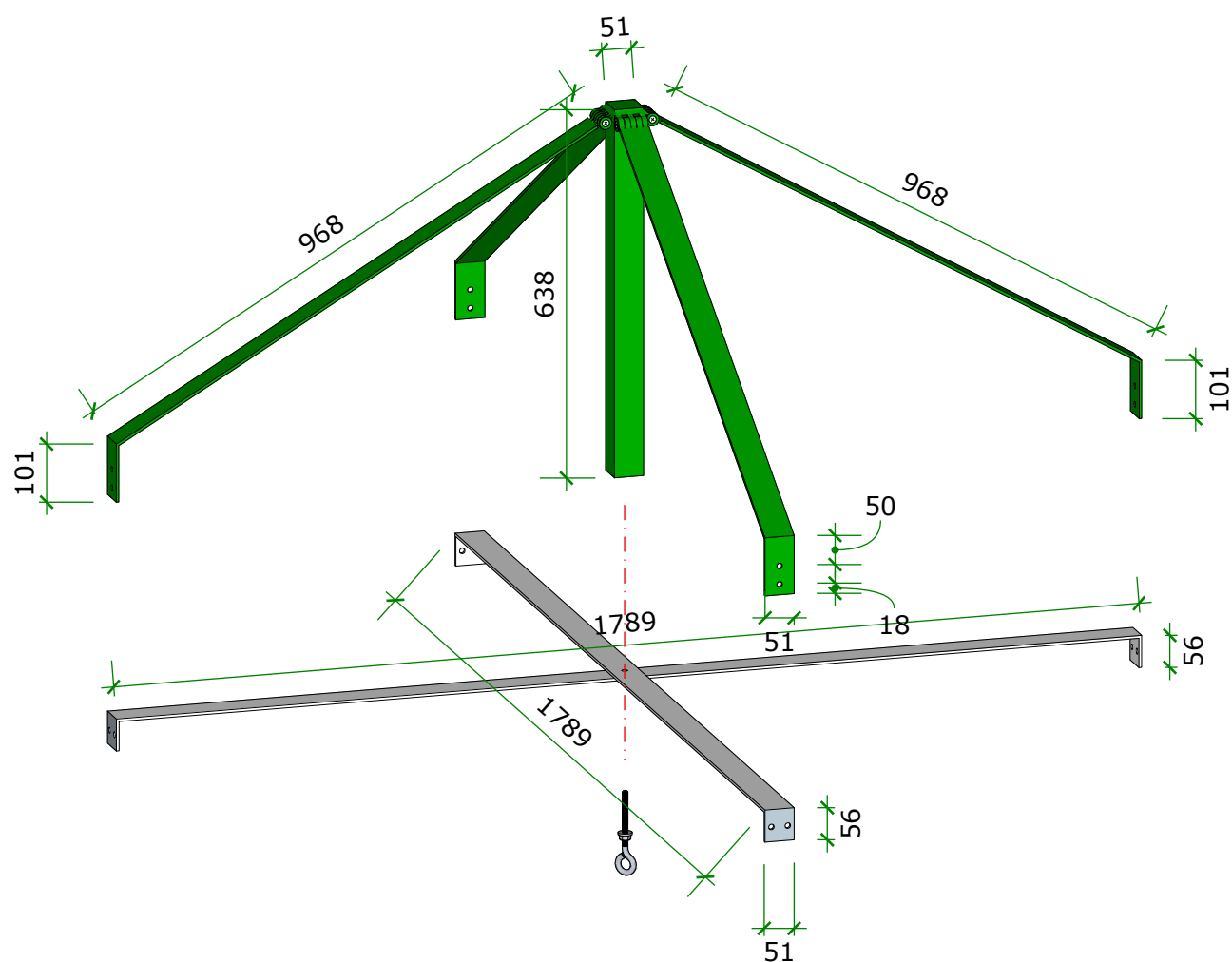


**Arrow Column (x4)**



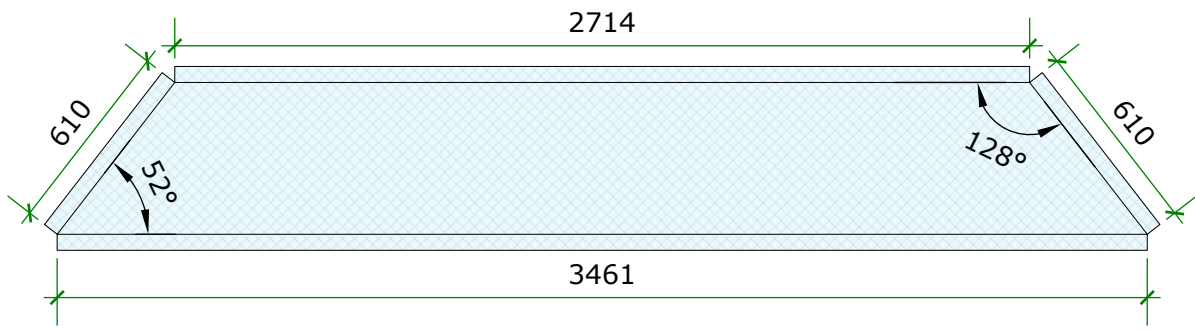
**Diagonal Flat-Bar (x4)**

Total Length: 2300mm  
 Thickness: 5mm  
 Width: 51mm

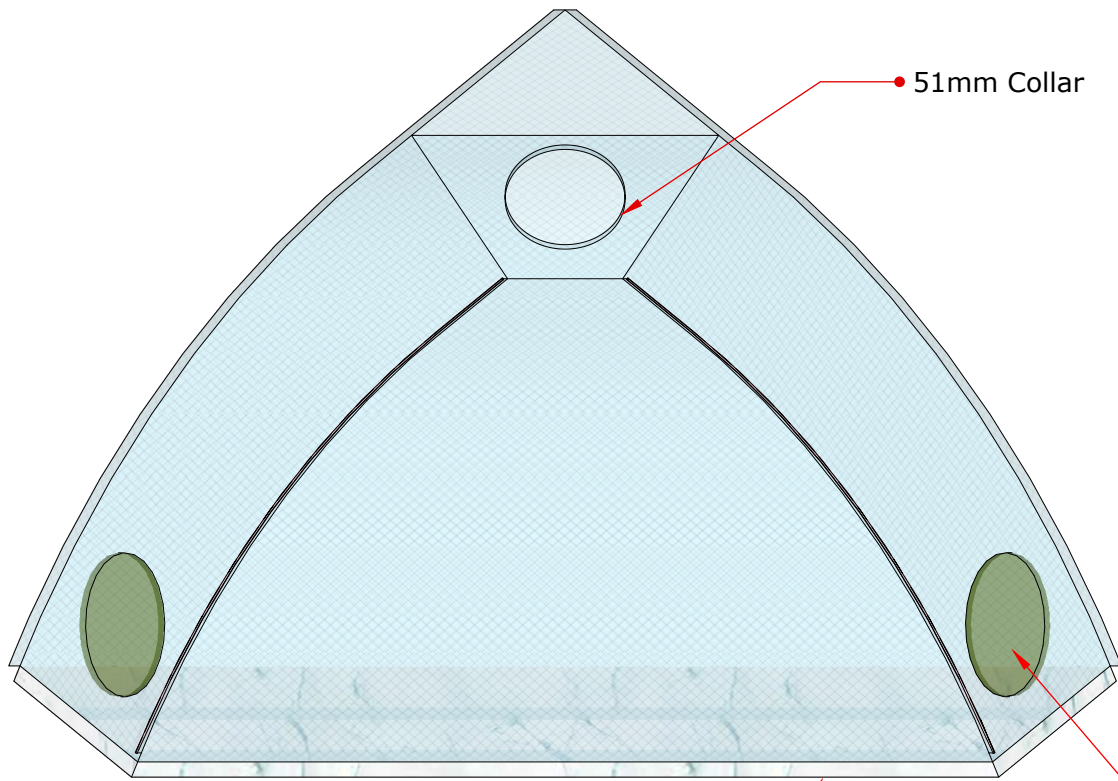
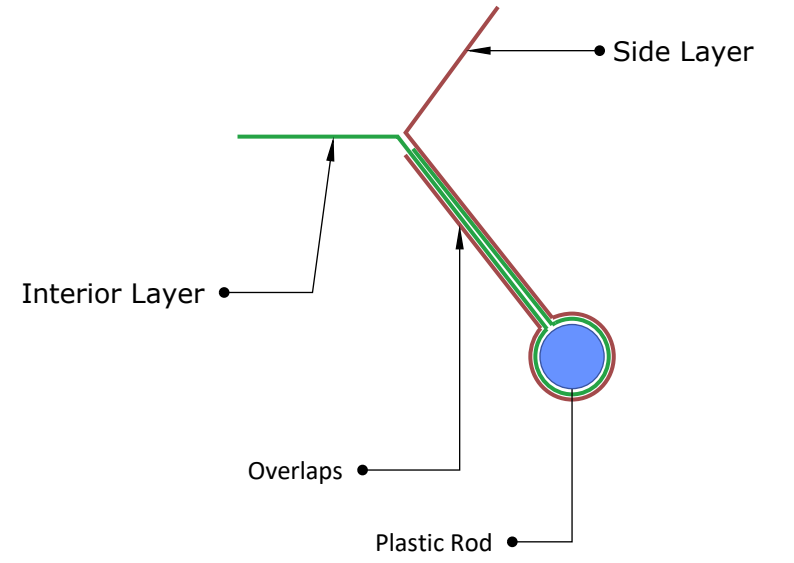


**PYRAMID FRAME (UMBRELLA)**



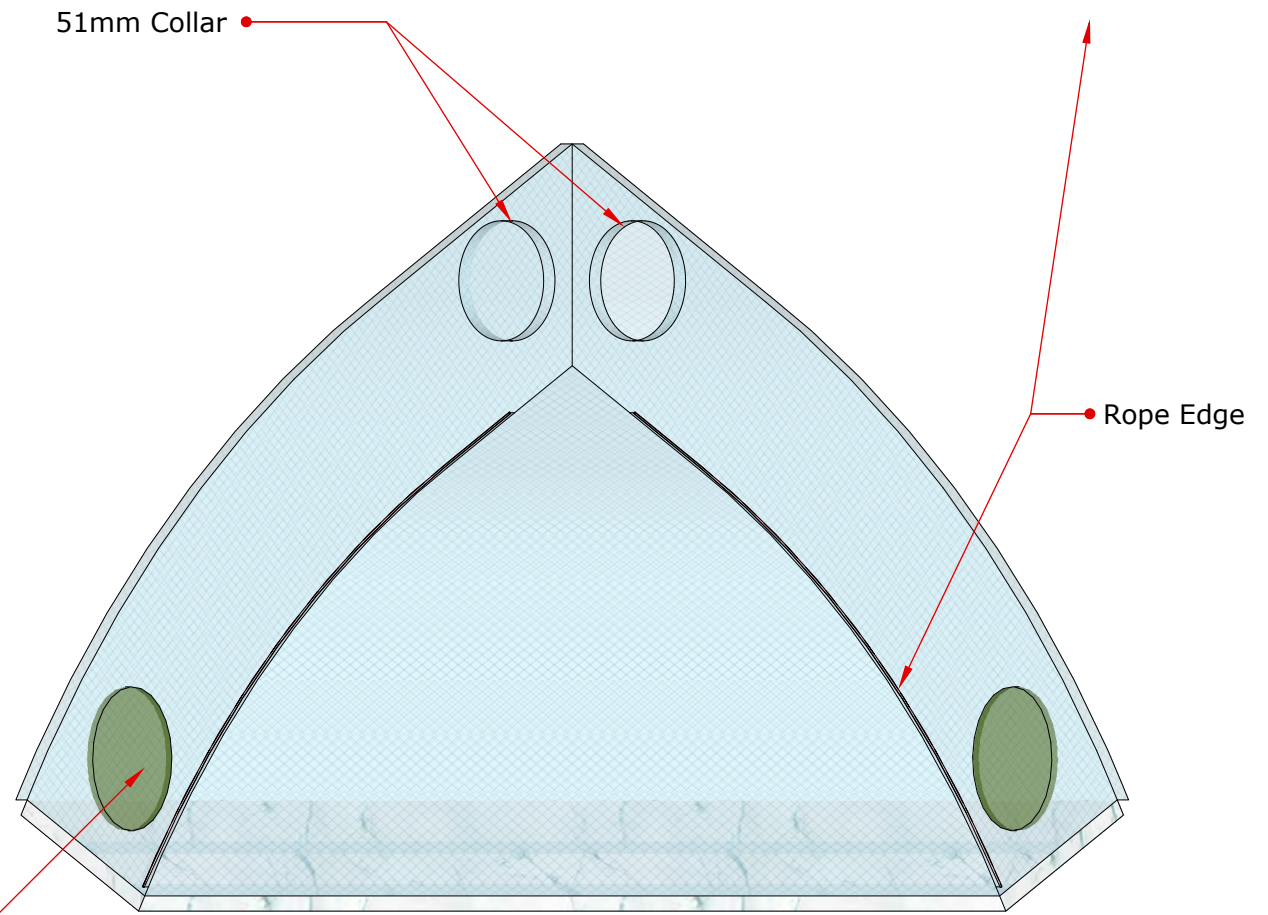


Bottom x4



Insulation Board 25mm

FAN PANEL X2

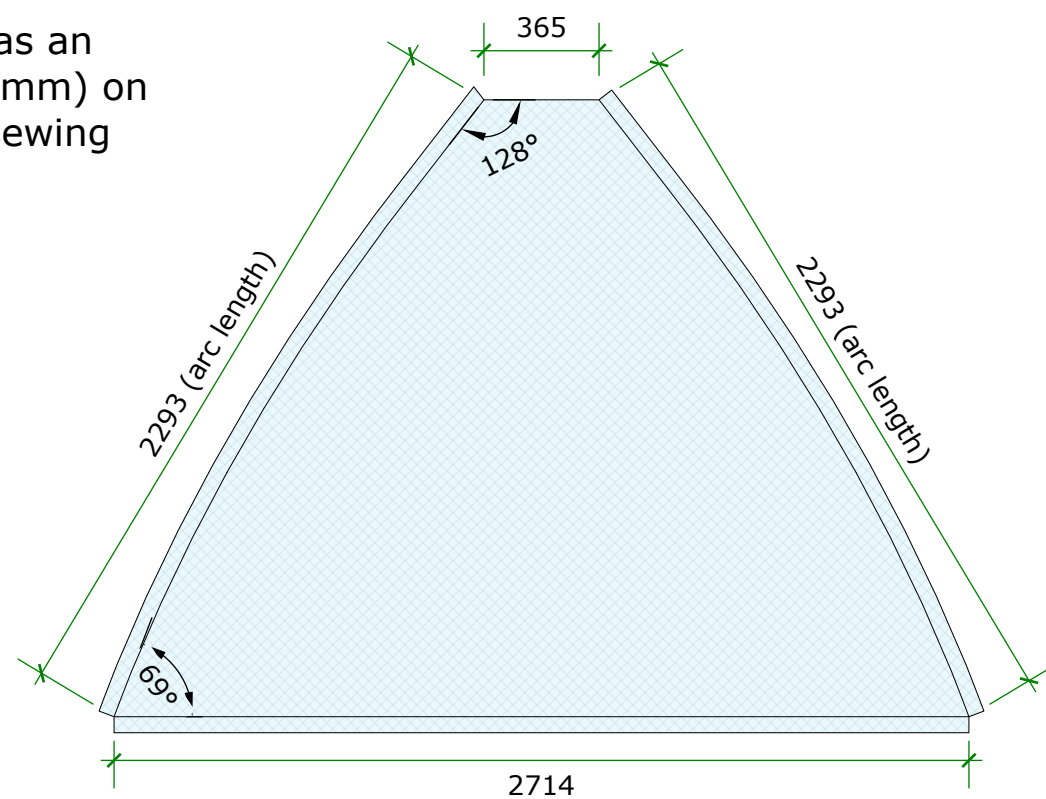


Bubble Channel

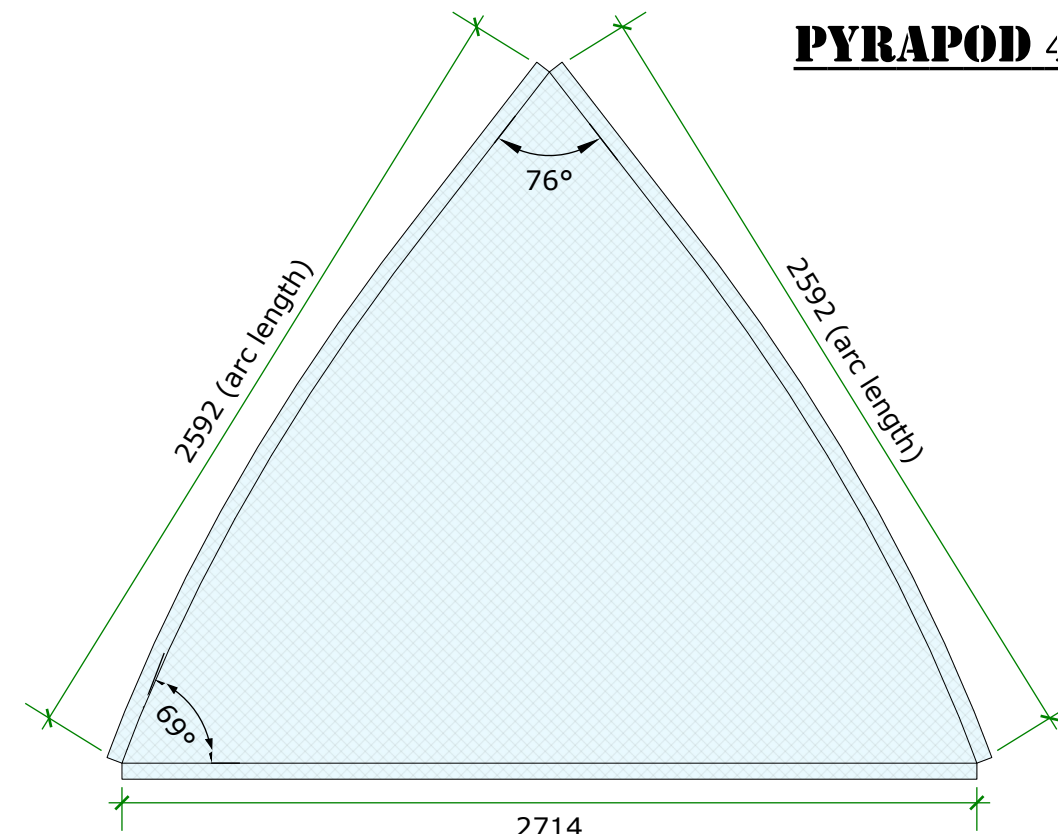
SCREEN PANEL X2



**Note:** Each piece of material has an extended allowance (51mm) on each side for stitching/sewing between each piece.

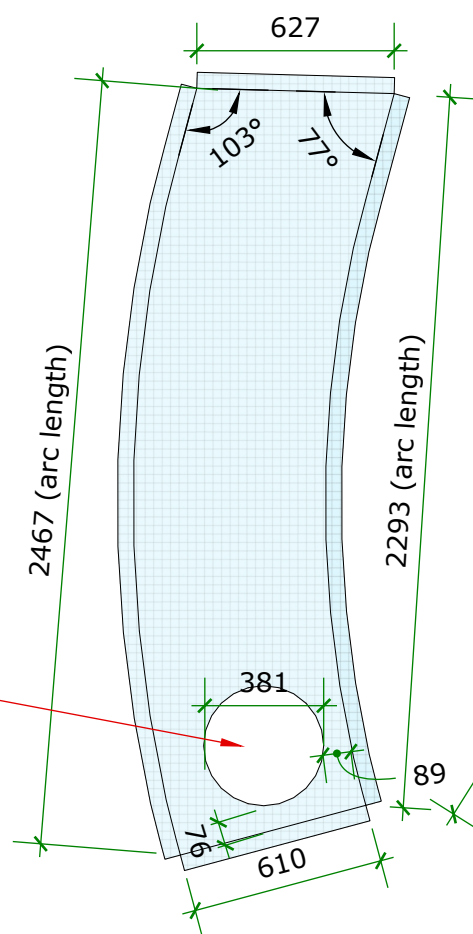


Interior(Fan Panel) x2

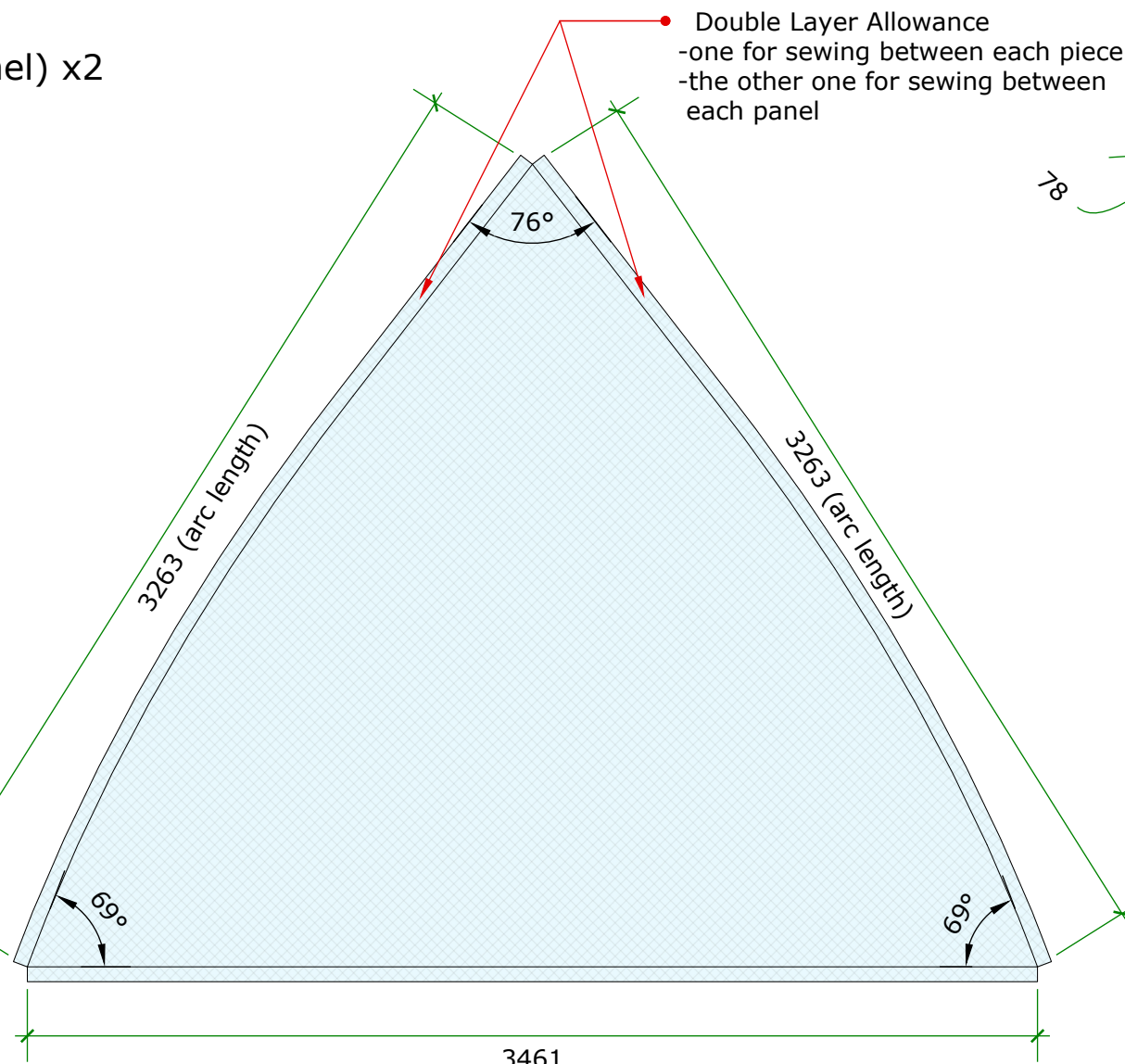


Interior (Screen Panel) x2

The structure of the channel is similar to that of the bubble machine, requiring secondary design

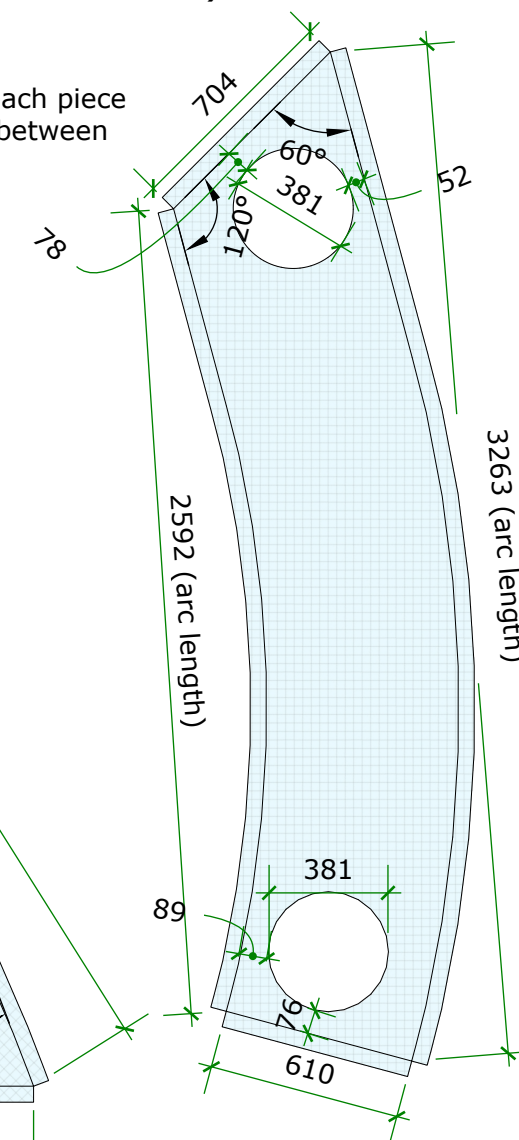


Side x4  
(Fan Panel)



Exterior x4

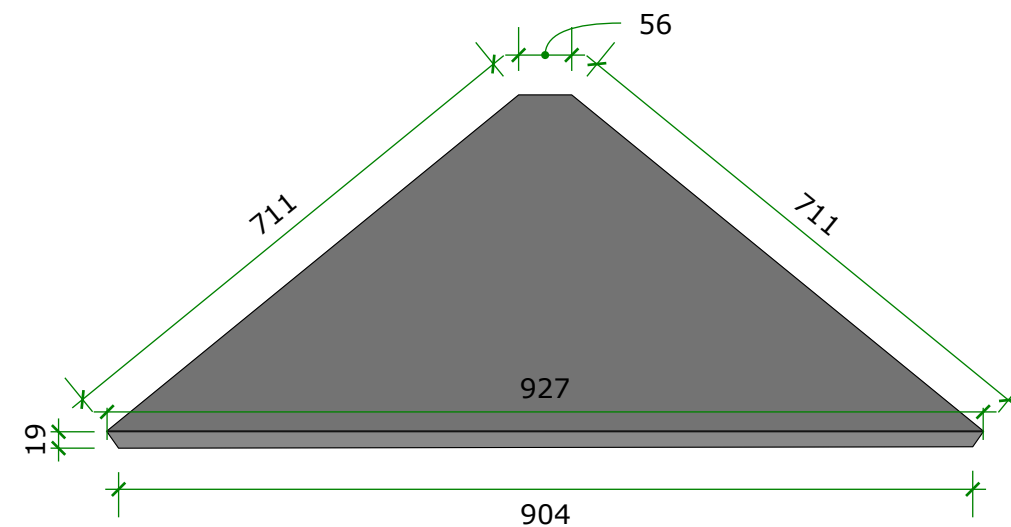
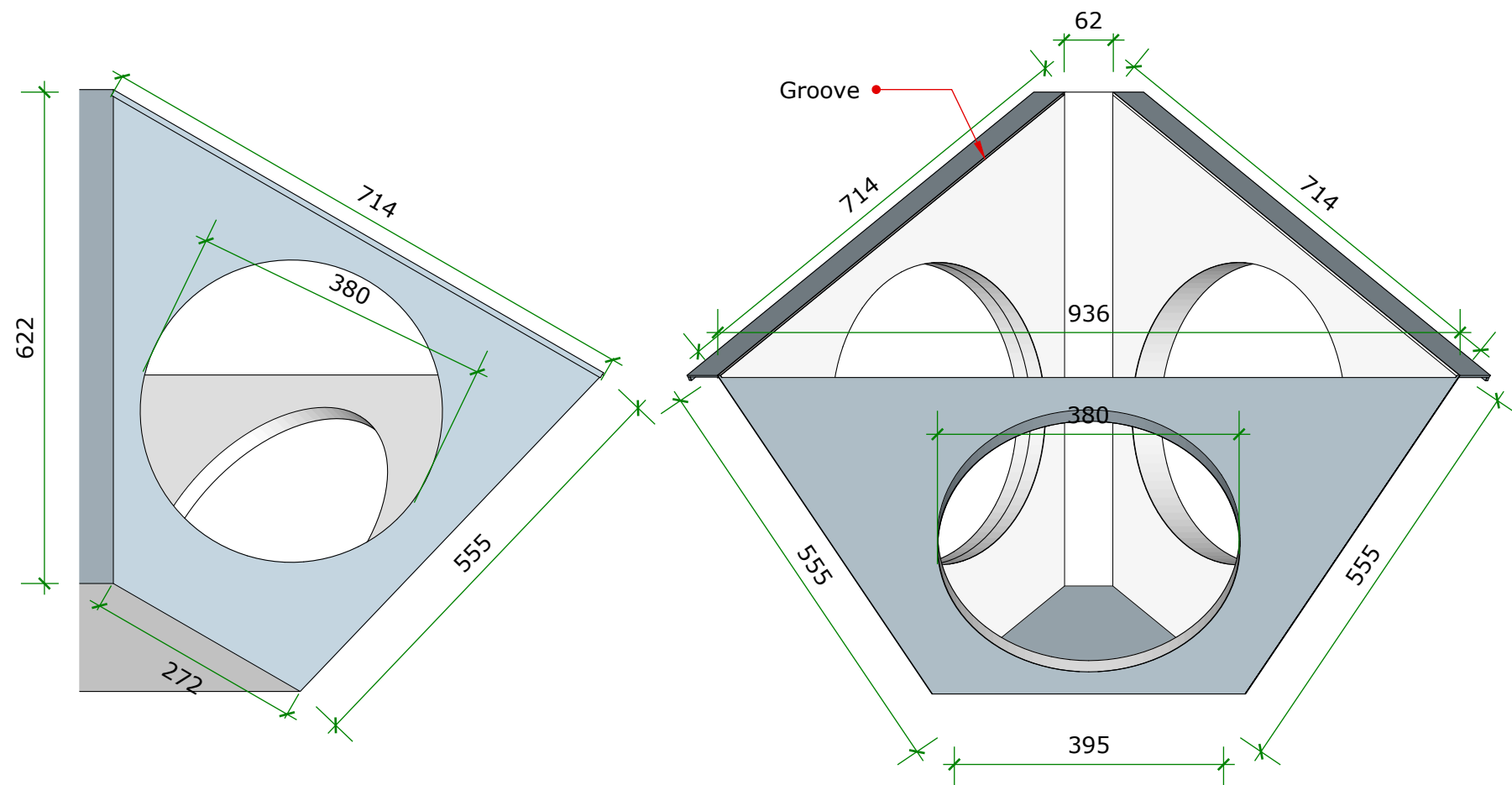
Double Layer Allowance  
-one for sewing between each piece  
-the other one for sewing between each panel



Side x4  
(Screen Panel)

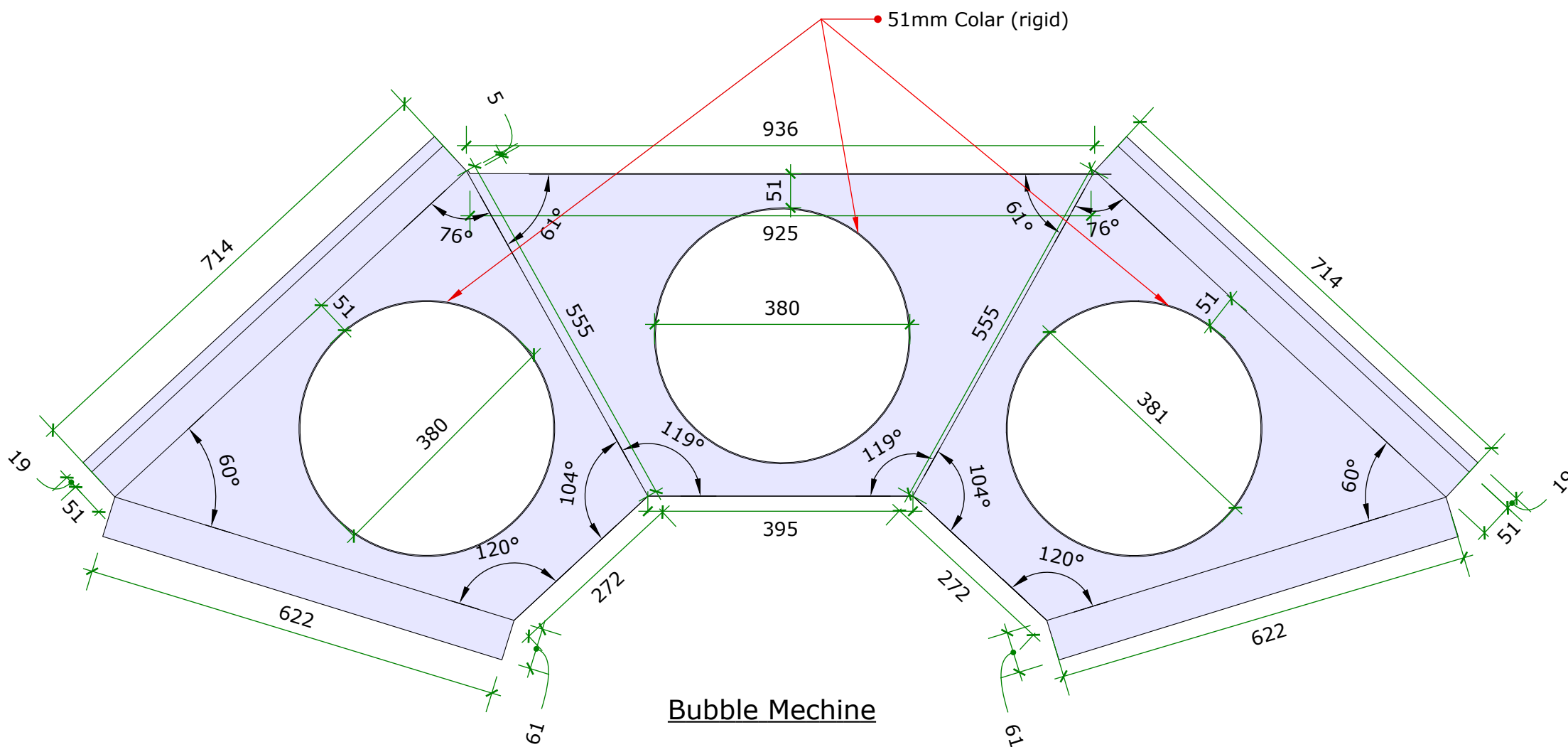
Roof Panel Exploded View (x4)  
The sides are arcs, not straight lines

# PYRAPOD 4T-2

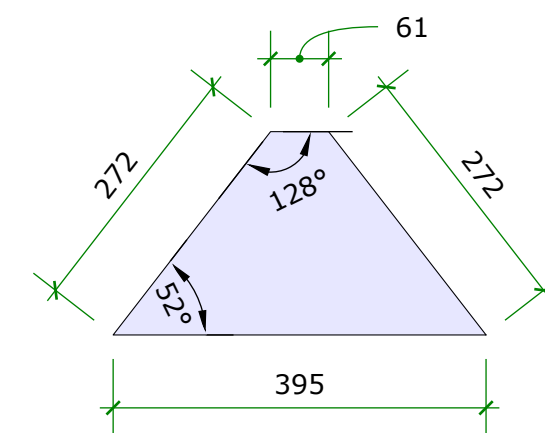


Sliding Top Cover

Bubble Mechine Elevation



Bubble Mechine



Bottom Piece

Bubble Mechine Exploded View  
Each round hole has a 51mm collar